



## FFLY-801 V

### Vertical LED Wire bonder

#### Product descriptions and features

##### Features

- Thermosonic high speed bonding, fast conversion
- Vision system: Programmable look ahead PR
- Vclamp system: adjustable-free clamp fingers
- Auto capillary unplugging
- Ease of maintenance

##### Wire Type

Au, Ag, Cu, CuPd, alloy

##### Applied Range

LED industry



KEJIE website

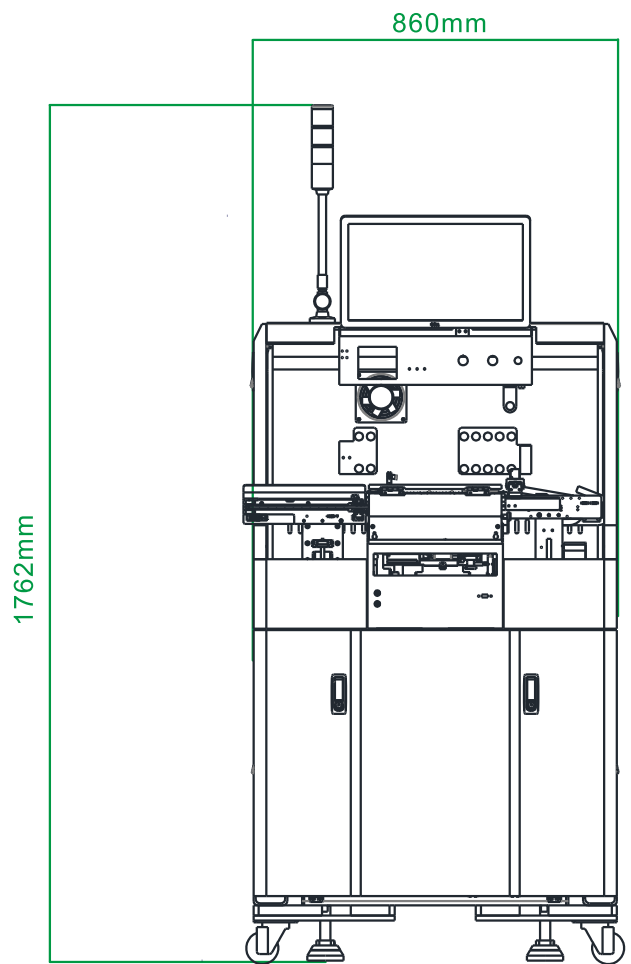


KEJIE wechat

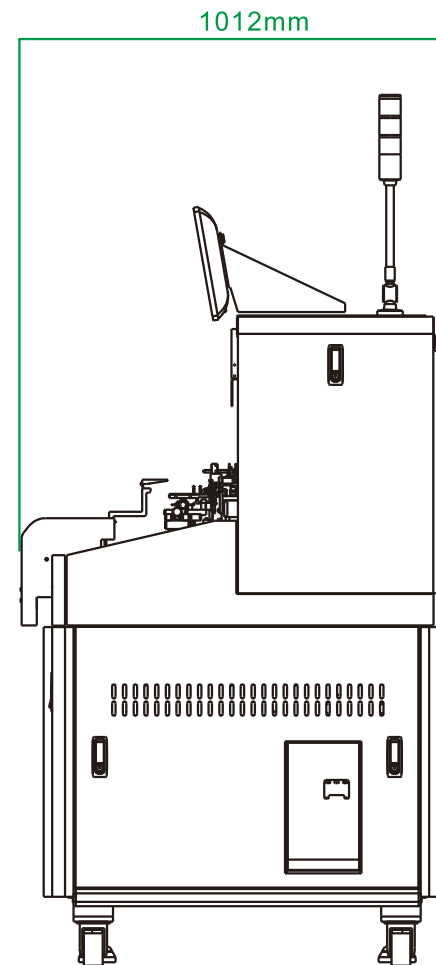
## Parameters

Item	Parameter
Bonding Technology	Thermosonic bonding
Optics	Single path
Bonding Accuracy	$\pm 3.0\mu\text{m}$
Bonding area	56x20mm
Cycle time	60ms/wire
Wire diameter	18 $\mu\text{m}$ -50 $\mu\text{m}$

Machine dimension



Front



Left